

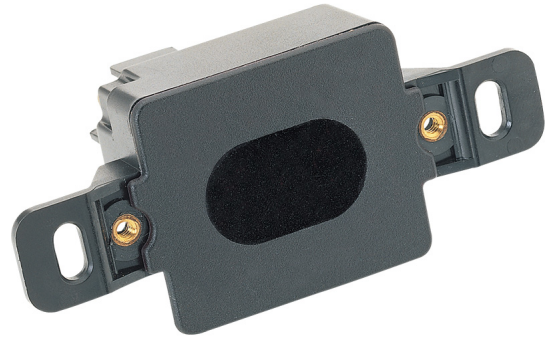


model VRKH01
Sensor

FEATURES & BENEFITS

OPTIONS

For more information, visit www.hawsc.com or call (888) 640-4297.



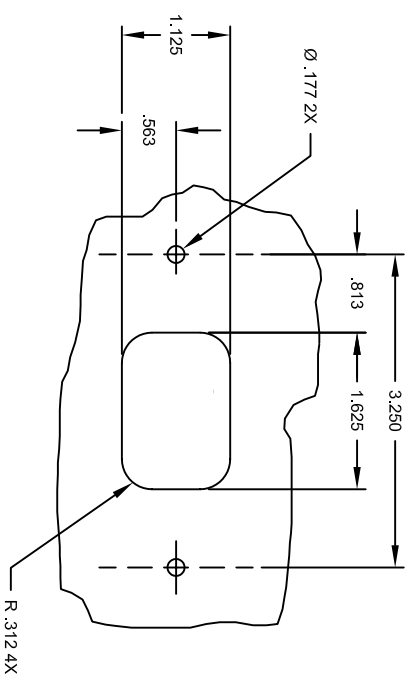
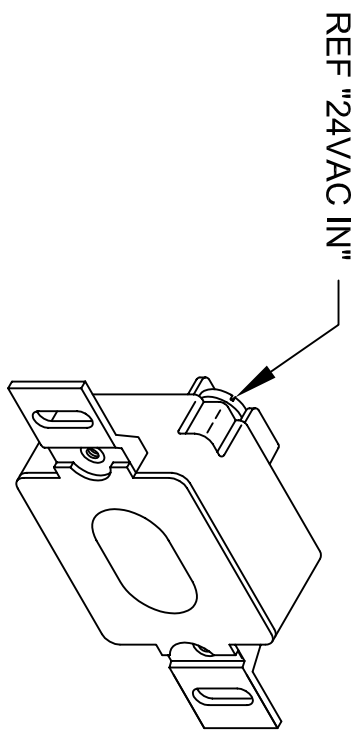
SPECIFICATIONS

Model VRKH01 operates as an electronic eye, emitting a continuous beam of infrared light from the transmitting sensor. When user enters sensor's range, the signal activates the water stream. Built-in delay mode prevents activation by passers-by. A 30-35 second "maximum on" safeguards against accidental or malicious blocking of sensor and sensor burn-out. When blockage is removed, sensor automatically resets. Complete wiring harness furnished with each unit. Sensor is standard on extended bracket only.

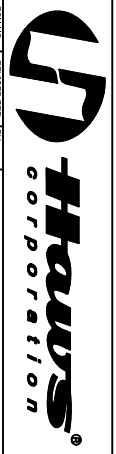
APPLICATIONS



* MUST BE USED IN CONJUNCTION WITH 24VAC TRANSFORMER AND SOLENOID



PANEL CUT-OUT



1455 KLEPPE LANE
 SPARKS, NEVADA 89431
 (775) 359-4712 FAX (775) 359-7424
 E-MAIL: HAWS@HAWSCCO.COM
 WEBSITE: WWW.HAWSCCO.COM

FIG. NO. 1	REVISIONS	REV.	MODEL(S)	0002080407.D
DATE: 05/10/94	DATE: 05/10/94	DATE:	SENSOR, 24VAC H.O.	11393C00
APPROVER:	DATE:	DATE:	INFO FAX, DOC #:	11393C00
SCALE: 1:1	SPANNING TYPE:	INSTALLATION/REWORK		SIZE: A SHEET: 1 OF 1